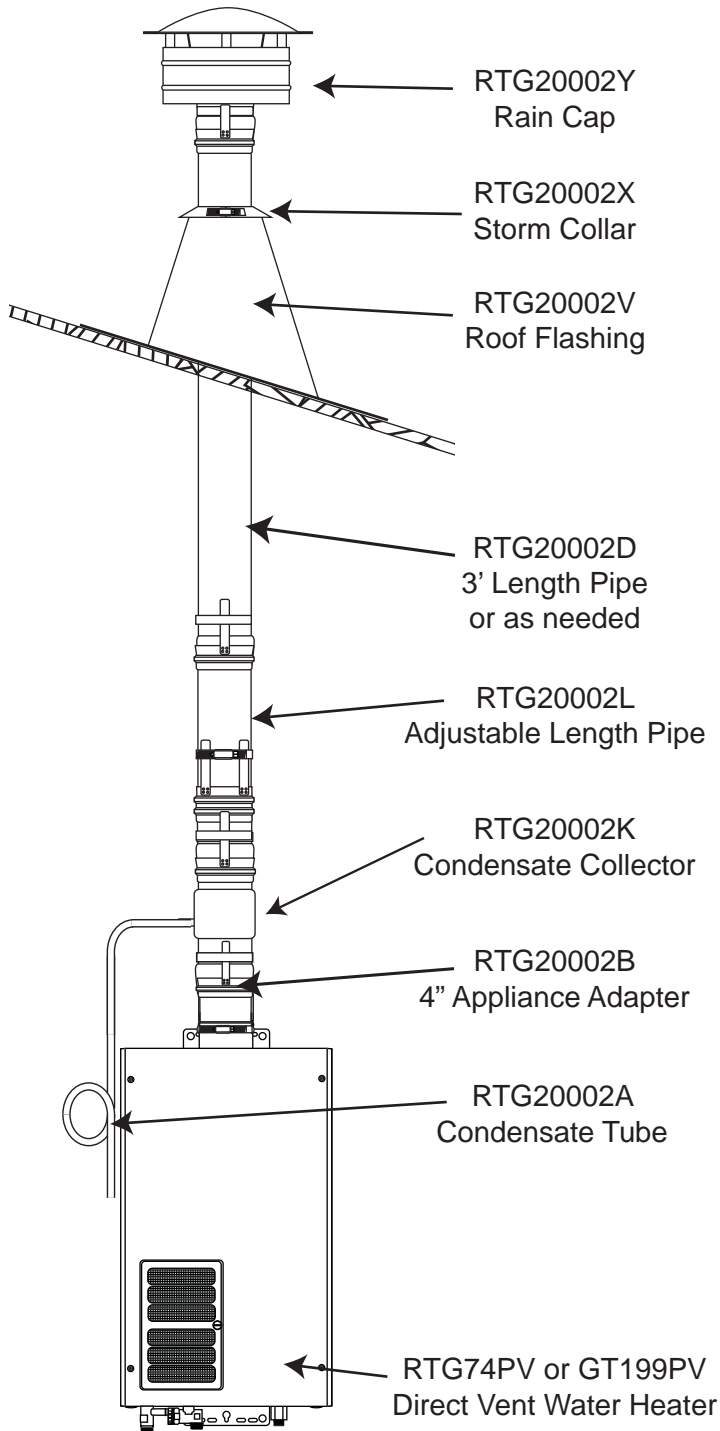


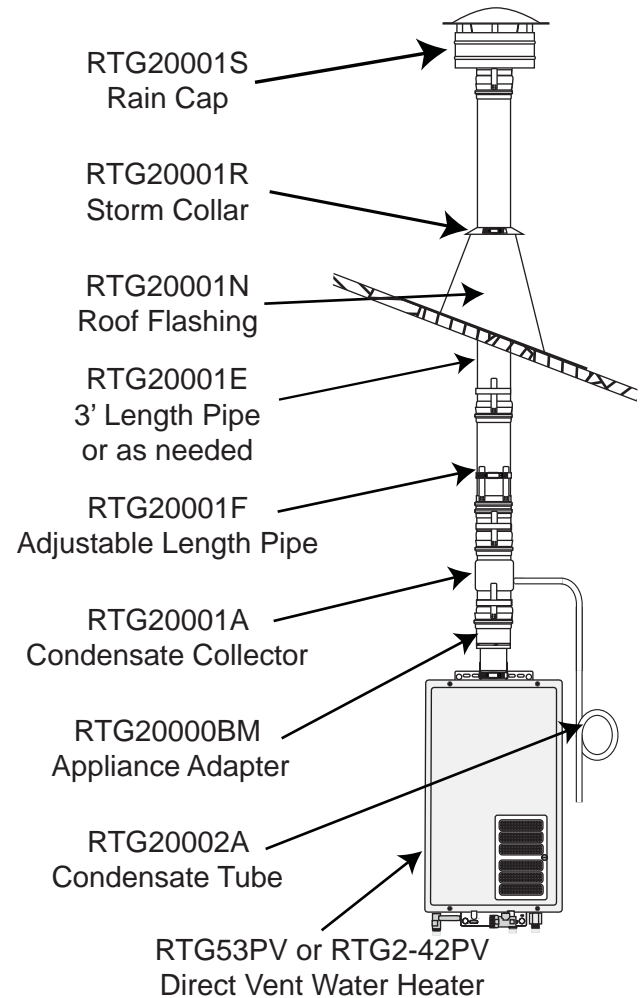
Tankless Water Heater Installation Diagrams

Power Vent Vertical Termination Typical Straight Installation

4-Inch Vent System



3-Inch Vent System



Straight Vertical Vent Installation:

A straight vertical vent installation is allowable provided that an in-line vertical condensate collector is installed at the tankless water heater. All other considerations for total vent length, location, clearances, and materials as listed in the applicable Use and Care Manual for the water heater apply.

The components listed here are manufactured by Heat-Fab and are not compatible with other brands of venting materials

Drawn by: SMT
Eng Approval: RM

The above listing is suggested components for typical installations, components may vary depending upon the actual installation requirements.

See Drawing RTG11140 for typical piping installations.

This drawing is intended as a guide only. It is not to be used as an alternative to a professionally engineered project drawing. This drawing does not imply compliance with local building codes. Installation may vary, depending on installation location, and must be done in accordance with all local building codes. Consult with local building officials prior to installation.

Printed in U.S.A. 06/08 Form No. RTG11171